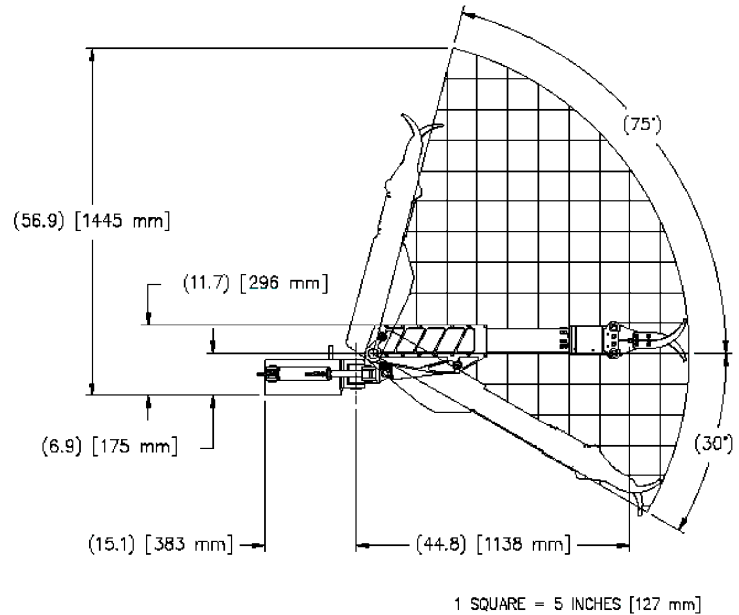


## CATEGORY: Manipulator

## Schilling RigMaster

Engineered Tooling Solutions **FAST**



The Schilling RigMaster is a five-function, rate-controlled, heavy-lift grabber arm. The grabber arm can be used to grasp and lift heavy objects or to anchor the ROV by clamping the gripper around a structural member at the work site. Constructed primarily of aluminum and titanium, the RigMaster provides the power, performance, and reliability required for the demanding subsea work.

The RigMaster is used for tasks such as connecting ROV to assets to provide a stable platform for grabbing hold of a structure to allow the vehicle to hold position..

TMT can configure the tool to suit your requirements.

### Features:

- Corrosion resistant material
- Large Operating Envelope
- Easily operated by ROV
- Long service life
- Field proven
- High lift to weight ratio
- Boom function extends arm by 305mm

### Specifications:

- |  |          |
|--|----------|
| • Weight in Air                          | 64kg     |
| • Weight in Seawater                     | 48kg     |
| • Lift at Full Extension, Boom Retracted | 270kg    |
| • Lift at Full Extension, Boom Extended  | 181kg    |
| • Max. Lift, nominal                     | 273kg    |
| • Max. Gripper Opening                   | 284mm    |
| • Wrist Torque                           | 205Nm    |
| • Wrist Rotate                           | 360°     |
| • Max. Reach, Boom Retracted             | 1,067mm  |
| • Max. Reach, Boom Extended              | 1,372mm  |
| • Depth Rating                           | 6,500msw |